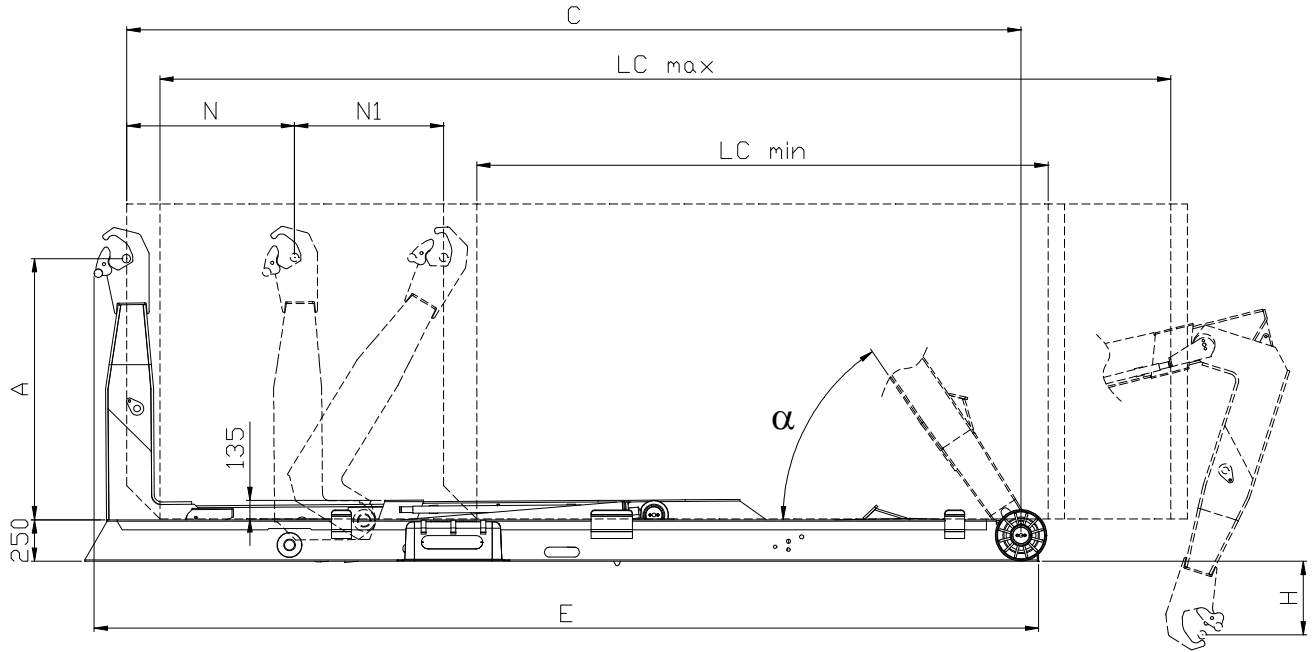




srl

POLYLIFTE TECHNICAL PARTICULARS

T16 SN



LIFTING CAPACITY	16 T				
HOOKLIFT WEIGHT	2380		2680		
TOTAL LENGTH (E)	4800	5000	5285	5485	5685
HOOK-ROLLER CENTRE DISTANCE (C)	4500	4700	5000	5200	5400
CONTAINER WORKING LENGTH (LC min)	3300		3800		
CONTAINER WORKING LENGTH(LC max)	5100	5300	5600	5800	6000
HOOK HEIGHT (A)	1570				
CONTAINER PICKING UP HEIGHT (H)	-650		-380		
HOOKARM STROKE (N)	575	775	625	825	1025
HOOKARM STROKE (N1)	825				
WIDTH OF THE FRAME	1060				
MAX TILTING ANGLE (α)	62°		56°		
LOADING ANGLE (max/min)*	24°/49°		23°/44°		
OPERATING PRESSURE (bar)	340		350		
PUMP DELIVERY / 1000 r (Lt / min)	60				
OIL TANK (Lt)	70				
CENTRE OF GRAVITY (Dimension referred to sliding roller centre)	2720	2750	2800	2820	2850

* truck height: 1100 mm.