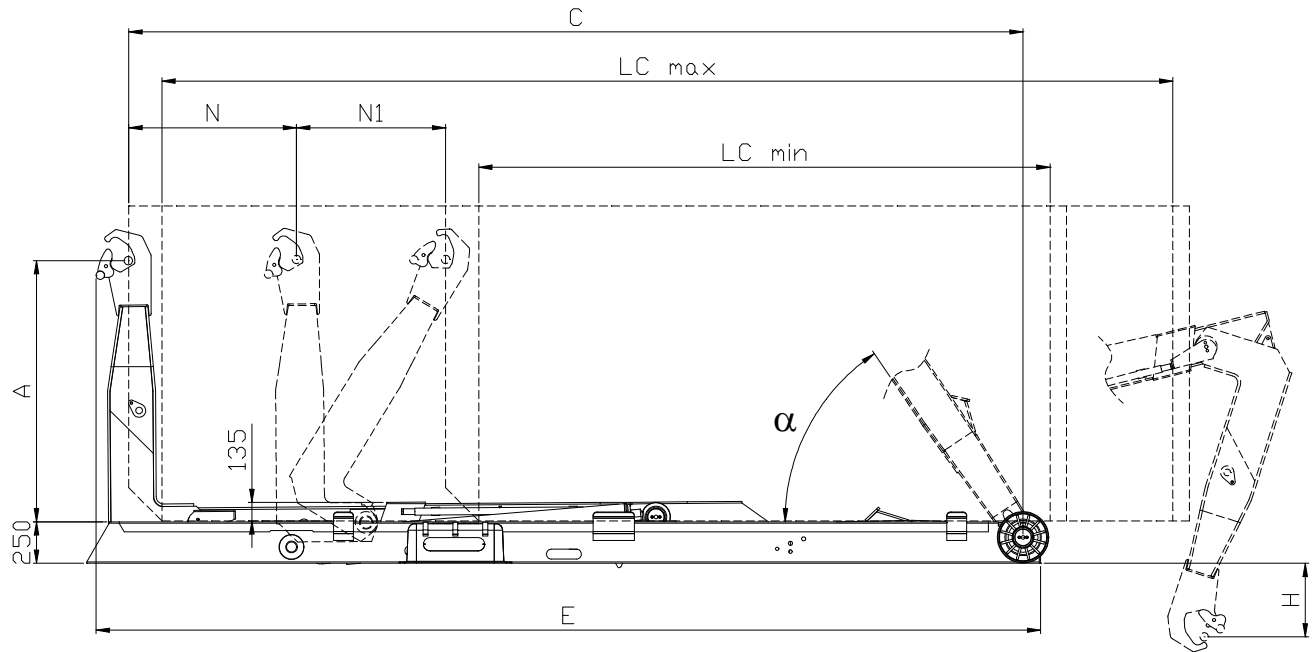




srl

# POLYLIFT TECHNISCHE DATEN

# T18 SN



LIFTING CAPACITY	18 T						
HOOKLIFT WEIGHT	2450		2650			2800	
TOTAL LENGTH (E)	4800	5000	5285	5485	5685	6285	6485
HOOK-ROLLER CENTRE DISTANCE (C)	4500	4700	5000	5200	5400	6000	6200
CONTAINER WORKING LENGTH (LC min)	3300		3800			4100	
CONTAINER WORKING LENGTH(LC max)	5100	5300	5600	5800	6000	6600	6800
HOOK HEIGHT (A)	1570						
CONTAINER PICKING UP HEIGHT (H)	-710		-440			-350	
HOOKARM STROKE (N)	575	775	625	825	1025	1025	1225
HOOKARM STROKE (N1)	825					1090	
WIDTH OF THE FRAME	1060						
MAX TILTING ANGLE ( $\alpha$ )	63°		57°			58°	
LOADING ANGLE (max/min)*	24°/49°		23°/44°			21°/40°	
OPERATING PRESSURE (bar)	300		320			340	
PUMP DELIVERY / 1000 r (Lt / min)	60						
OIL TANK (Lt)	70						
CENTRE OF GRAVITY (Dimension referred to sliding roller centre)	2750	2780	2820	2850	2880	3250	3300

\* truck height: 1100 mm.